

**FRIGGITRICI GAS 7L E700 XP
GAS FRYERS 7L E700 XP**

PNC	Model	Ref	Pag.	Brand	Version	Notes
371066	E7FRGD1B00	a		ELX	GAS	7 LITRE TOP 400 MM
371067	E7FRGH2B00	b		ELX	GAS	2X7 LITRE TOP 800 MM
371068	E7FRGD1BF0	c		ELX	GAS	7 LITRE 400 MM
371069	E7FRGH2BF0	d		ELX	GAS	2X7 LITRE 800 MM
372066	Z7FRGD1B00	e		ZAN	GAS	7 LITRE TOP 400 MM
372067	Z7FRGH2B00	f		ZAN	GAS	2X7 LITRE TOP 800 MM
372068	Z7FRGD1BF0	g		ZAN	GAS	7 LITRE 400 MM
372069	Z7FRGH2BF0	h		ZAN	GAS	2X7 LITRE 800 MM
373066	A7FRGD1B00	i		OEM	GAS	7 LITRE TOP 400 MM
373067	A7FRGH2B00	l		OEM	GAS	2X7 LITRE TOP 800 MM



PLATON SERVICE
8 (800) 500-34-41
www.platonservice.com

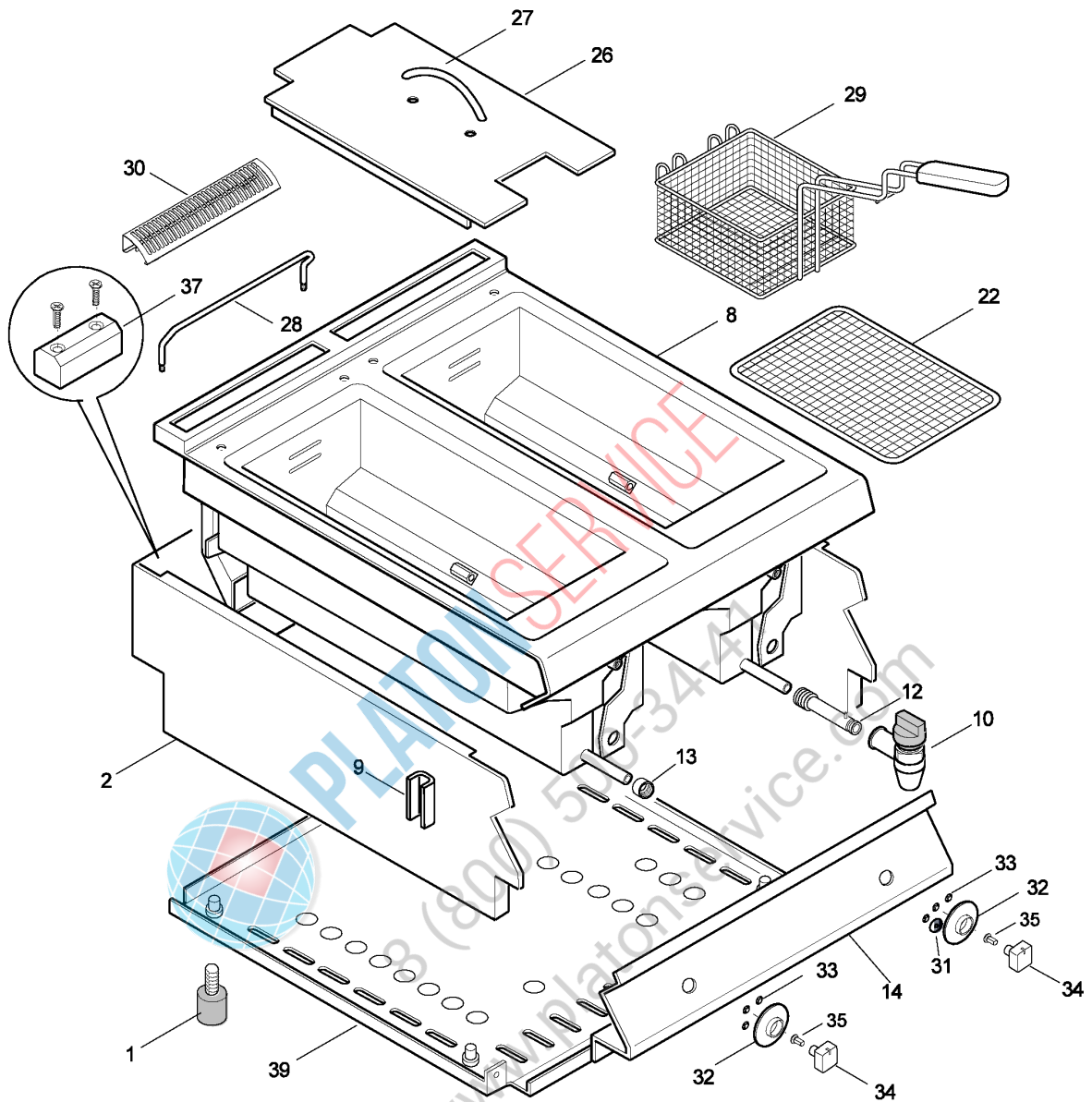
Pag	Index	Indice	Note
2,3	General components	Componenti struttura	TB PDX2017-02
4	Gas components	Componenti Gas	
5,6,7	Spare parts list	Lista ricambi	

Brand/Marchio: All
Factory code: 9PDX

From sr. Nr/ Da Ser. Nr.: 116
Page: 1

Ed. 2017 03

Doc. Nr.: **59785F200**

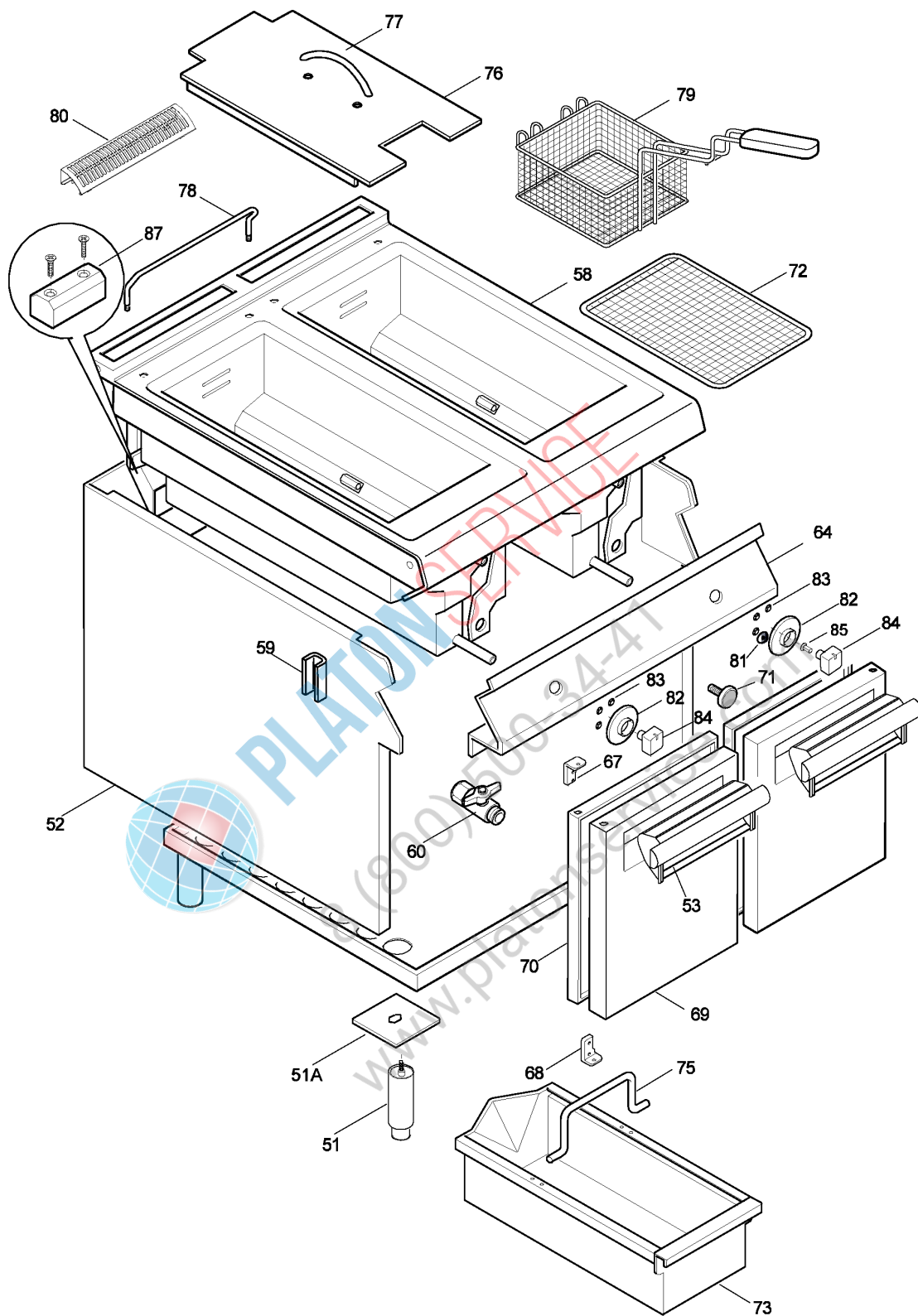


From sr. Nr/ Da Ser. Nr.: 116
Page: 2

Ed. 2017 03

Doc. Nr.: **59785F200**

??????	371066									
??????	59785F200	???????? 2	General components							
.		Alias		S			.			(Euro)
0001	026806	315252601		S	C			FOOT WITH SCREW M6; Ø=18MM		2,80
0002	000000	85089F701							ELX	
0002	000000	85089F801							ELX	
0002	000000	85089FA01							ZAN, OEM	
0002	000000	85089FB01							ZAN, OEM	
0008	0C7753	85589BK00						FRYER TANK; 07LT GAS	ELX	647,00
0008	0C7759	85589BR00						FRYER TANK; 07+07LT GAS	ELX	1 058,00
0008	0C7769	87089KY00						FRYER SHELF	ZAN, OEM	620,00
0008	0C7771	87089L000						FRYER TANK; 07+07LT GAS	ZAN, OEM	1 051,00
0009	0C0156	527850500		S				BRACKET		2,41
0010	0C2669	835867800		S				DRAIN VALVE; 3/4" F/OIL		69,63
0012	0C4691	517894601						DRAIN EXTENSION		35,63
0013	0C0756	517862300						COUPLING		10,87
0014	000000	50389TA00							OEM	
0014	0C7742	85589AW00						CONTROL PANEL	ELX	96,43
0014	0C7743	85589AY00						CONTROL PANEL	ELX	72,78
0014	0C7768	87089KX00						CONTROL PANEL	ZAN	72,78
0014	0C7770	87089KZ00						CONTROL PANEL	ZAN	96,43
0014	0C8041	50389T800						CONTROL PANEL	OEM	71,66
0022	005932	830822500		S				GRILL		29,74
0026	0C2697	522893501						LID		77,44
0027	0C0614	511819000		S				HANDLE		15,16
0028	0C0640	516862900						SUPPORT		33,29
0029	004492	830818802		S	C			BASKET		40,20
0030	0C7333	50389LP00		S				CHIMNEY GRID; L=400MM		25,68
0031	0C6171	541813800	0C6172	S				WASHER; SILICONE		
0032	0C7737	548879X00						RING NUT	ZAN, OEM	8,68
0032	0C7865	548877Q00						RING NUT	ELX	7,95
0033	069567	218912211	0C6288	S				RING CONNECTION		
0034	0C1380	548865700		S				KNOB	OEM	10,14
0034	0C6670	511850G01	0C8700	S		+		KNOB; DIA.10	ELX	
0034	0C7180	548878001		S				KNOB; DIA.10MM	ZAN	16,00
0035	004491	548848401	0C8571					EXTENSION; FOR GAS VALVE		
0037	0C0137	516860702	0C9655	S		+		PLATE		
0039	000000	5038A1W01								
0039	000000	5038A1X01								



From sr. Nr/ Da Ser. Nr.: 116 Page: 3	Ed. 2017 03	Doc. Nr.: 59785F200
--	-------------	----------------------------

??????	371066									
??????	59785F200		???????? 3				General components			
.		Alias		S			.			(Euro)
0051	0C0204	835856900		S	C		FOOT; Ø=50,5MM; PIN M10; AISI 304			22,11
0052	000000	85089FD01						ELX		
0052	000000	85089FF01						ELX		
0052	000000	85089FH01						ZAN		
0052	000000	85089FJ01						ZAN		
0053	0C7164	51589A700	0C8769				HANDLE	ELX		
0053	0C8190	54887A800		S			HANDLE	ZAN		33,09
0058	0C7771	87089L000					FRYER TANK; 07+07LT GAS	ZAN		1 051,00
0058	0C7773	87089L200					FRYER TANK; 07LT GAS	ELX		645,00
0058	0C7775	87089L400					FRYER TANK; 07+07LT GAS	ELX		1 050,00
0058	0C7793	87089LQ00					FRYER TANK; 07LT GAS	ZAN		642,00
0059	0C0156	527850500		S			BRACKET			2,41
0060	005927	835848600		S			DRAIN VALVE			25,98
0064	0C7744	85589AZ00					CONTROL PANEL	ELX		72,78
0064	0C7772	87089L100					CONTROL PANEL	ZAN		72,78
0064	0C7774	87089L300					CONTROL PANEL	ZAN		96,43
0064	0C7869	85589AX00					CONTROL PANEL	ELX		96,43
0067	0C0138	516860801		S			HINGE			5,86
0068	0C0139	516860901		S			HINGE			5,86
0069	0C7157	50389G300					DOOR			77,44
0070	0C7156	85089AA02					OVEN DOOR			137,00
0070	0C7158	50489CQ00					INNER DOOR			33,80
0071	0C0201	830898200		S			MAGNET			18,30
0072	005932	830822500		S			GRILL			29,74
0073	005922	502898403					BASIN			121,80
0075	005923	516843003					HANDLE			11,30
0076	0C2697	522893501					LID			77,44
0077	0C0614	511819000		S			HANDLE			15,16
0078	0C0640	516862900					SUPPORT			33,29
0079	004492	830818802		S	C		BASKET			40,20
0080	0C7333	50389LP00		S			CHIMNEY GRID; L=400MM			25,68
0081	0C6171	541813800	0C6172	S			WASHER; SILICONE			
0082	0C7737	548879X00					RING NUT	ZAN		8,68
0082	0C7865	548877Q00					RING NUT	ELX		7,95
0083	069567	218912211	0C6288	S			RING CONNECTION			
0084	0C1380	548865700		S			KNOB	OEM		10,14

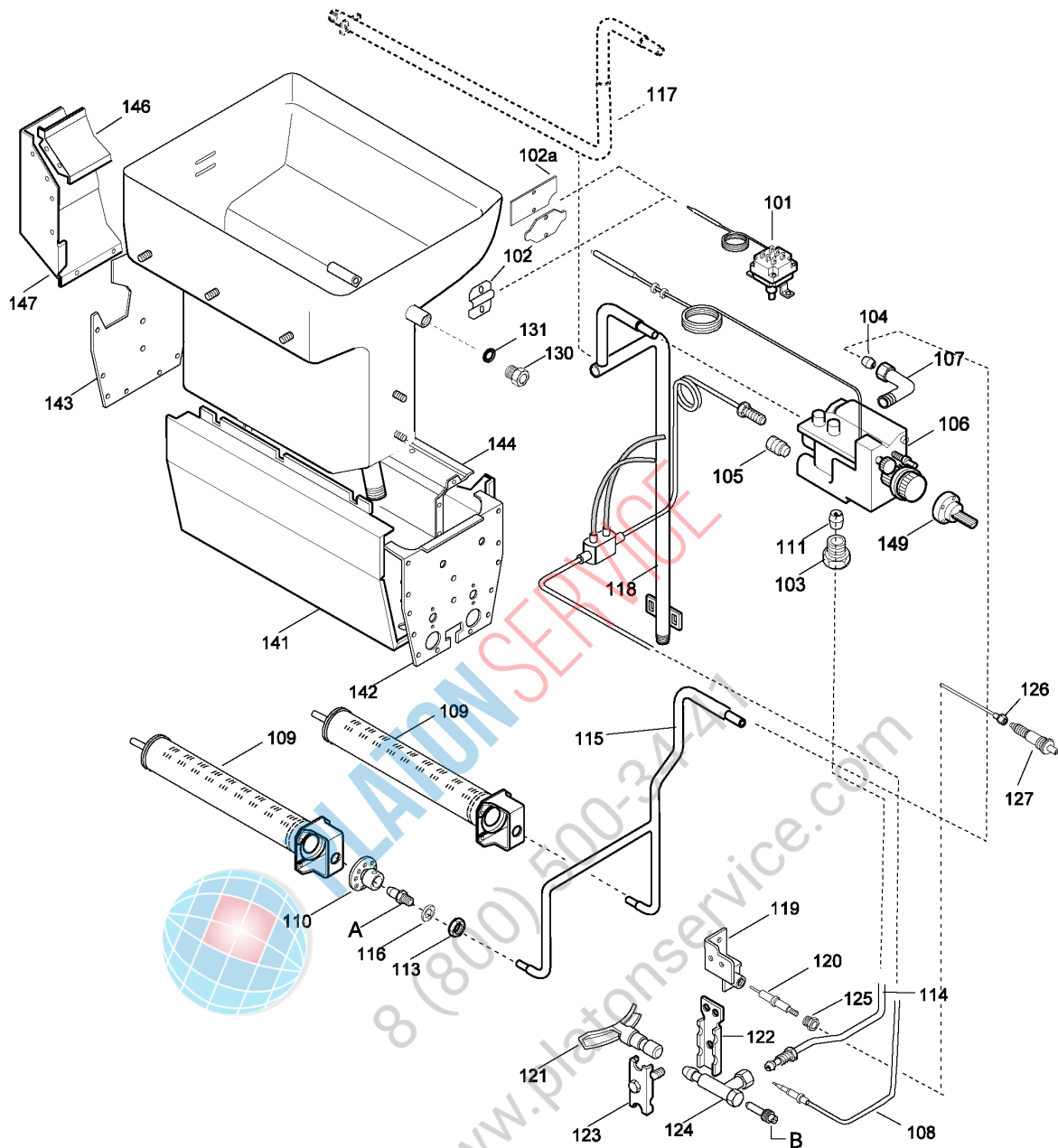
??????	371066									
??????	59785F200	???????? 3	General components							
.		Alias		S			.			(Euro)
0084	0C6670	511850G01	0C8700	S		+		KNOB; DIA.10	ELX	
0084	0C7180	548878001		S				KNOB; DIA.10MM	ZAN	16,00
0085	004491	548848401	0C8571					EXTENSION; FOR GAS VALVE		
0087	0C0137	516860702	0C9655	S		+		PLATE		
051a	0C0122	508898900						PLAQUE		3,34



PLATON SERVICE

8 (800) 500-34-41

www.platonservice.com



A - Ugello bruciatore / Burner nozzle			
Spare Code	Ref. / Notes		
004488	ø1.40	2H/2E+	G20 20mbar
059364	ø1.30	2H	G20 25mbar
003722	ø1.55	2ELL	G25 20mbar
056470	ø1.45	2L	G25 25mbar
002862	ø1.50	2S	G25.1 25mbar
054630	ø0.95	3+3B/P	G30 30mbar
002265	ø0.90	3B/P	G30 36mbar
003332	ø0.80	3B/P	G30 50mbar
054127	ø1.65	no CE	G20 10mbar
0C0747	ø2.70	no CE	G110

B - Ugello pilota / Pilot nozzle			
Spare Code	Ref./ Notes		
003372	n°40	2H/2E+	G20 20mbar
058330	n°40	2H	G20 25mbar
003327	n°40	2ELL	G25 20mbar
003327	n°40	2L	G25 25mbar
003327	n°40	2S	G25.1 25mbar
058330	n°25	3+3B/P	G30 30mbar
058330	n°25	3B/P	G30 36mbar
058330	n°25	3B/P	G30 50mbar
003327	n°40	no CE	G20 10mbar
-	adj	no CE	G110

From sr. Nr/ Da Ser. Nr.: 116
Page: 4

Ed. 2017 03

Doc. Nr.: **59785F200**

??????	371066								
??????	59785F200	???????? 4	Gas components						
.		Alias		S			.		(Euro)
0000	000747								
0000	002265						NOZZLE; DIA 0,90		5,43
0000	002862			S			NOZZLE		5,54
0000	003327			S			PILOT NOZZLE; N.40; GN		4,52
0000	003332			S			NOZZLE		5,43
0000	003372			S			MINIMUM SCREW		7,63
0000	003722						NOZZLE		5,43
0000	004488			S			NOZZLE		5,54
0000	054127			S			NOZZLE		5,54
0000	054630						NOZZLE		5,54
0000	056470			S			GAS NOZZLE; DIA 1,45		5,43
0000	058330			S	C		PILOT NOZZLE; N°25; GPL		3,52
0000	059364			S			GAS NOZZLE; DIA 1,30		5,54
0101	0C4279	646816500		S	C		SAFETY THERMOSTAT; 230°C		77,67
0102	0C4749	527871901					STOP PLATE		6,17
0103	0C0625	516865800		S	C		PLUG; 3/8" FOR GAS VALVE "MERTIK"	TB PDX2017-02	7,60
0104	050682	215170716		S	C		DOUBLE CONE; ØI=12MM	TB PDX2017-02	2,02
0105	0C0625	516865800		S	C		PLUG; 3/8" FOR GAS VALVE "MERTIK"		7,60
0106	003334	835838703		S	C		GAS VALVE; 110-190°C; EUROSIT		161,00
0107	0C0631	515863200		S			PIPE FITTING		14,84
0108	0C3162	831818901		S	C		INTERRUPTED THERMOCOUPLE; ORKLY 16400-35		30,25
0109	003326	830807601					BURNER		59,28
0110	054085	830827102		S			AERATOR		14,22
0111	000000								
0113	020997	214105101		S			LOCK NUT		1,25
0114	0C5110	517896701					PIPE		7,22
0115	0C3747	517894501					PIPE; GAS 7LT LUPO	TB PDX2017-02	29,33
0116	054029	506833401		S			GASKET		1,02
0117	000000	517894100						TOP	
0117	000000	517894200						TOP	
0118	000000	517894301							
0118	0C3747	517894501					PIPE; GAS 7LT LUPO		29,33
0119	000000	830823001							
0120	052610	330272401		S	C		SPARK PLUG; DIA 6X44 MM		4,40
0121	003328	830810601		S	C		TUBE		20,00
0122	052256	206993500		S			BRACKET		1,81

??????	371066								
??????	59785F200		???????? 4				Gas components		
.		Alias		S			.		(Euro)
0123	052246	206649700		S			BRACKET		1,81
0124	006725	835854800		S	C		PILOT BURNER; Ø=0,40		11,80
0125	057960	214164101		S	C		PIPE FITTING; SPARK PLUG		1,25
0126	006514	638883500	002544		C		IGNITION CABLE; 700 MM		
0127	000000								
0130	059295	514874500		S			FITTING; PROBE SUPPORT; ØI=4MM		7,32
0131	059293			S			O-RING; ØI=3,68X1,78 MM		1,02
0141	000000	533823302							
0142	000000	533823403							
0143	000000	533823501							
0144	000000	533823000							
0146	000000	533823100							
0147	000000	533823200							
0149	004491	548848401	0C8571				EXTENSION; FOR GAS VALVE		
102a	0C4748	569806300		S			INSULATOR		13,17



PLATON SERVICE
 8 (800) 500-34-41
 www.platonservice.com